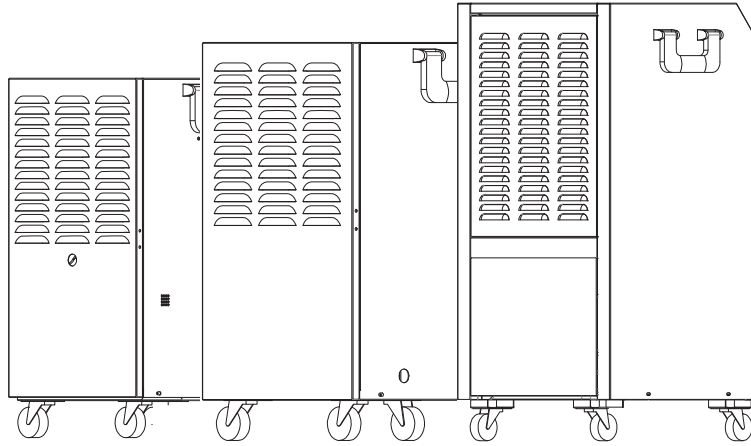


OWNER'S MANUAL



Commercial Dehumidifier

ECO Series

Specially Designed for Growing Industry

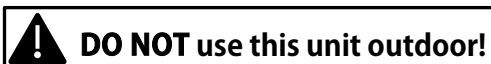
Maximum Capacity at over 230 Pints Per Day

Product Category : T30, T45 & T115

IMPORTANT: After unpacking (or accidental tip-over) allow dehumidifier to stand upright for 20 minutes before starting



Important Instructions



Before installing and using your dehumidifier, please read this owner's manual carefully. Store this manual in a safe place for future reference.

The user of electrical products may create hazards that include, but are not limited to injury, fire, electrical shock. Failure to follow these instructions may damage and/or impair its operation and void the warranty.

- Before operating, remove all packaging material and check for any damage that may have occurred during shipping or any missing items.
- Check household power supply to ensure it matches the specification of appliance.
- Always place the unit on a level surface.
- **NEVER** use or store gasoline or other flammable vapor or liquid near this unit unless instructed by this manual.
- **DO NOT** lay power cord under carpeting. **DO NOT** cover cord with throw rugs, runners, or similar coverings. **DO NOT** route cord under furniture or appliances. Arrange cord away from traffic area and where it will not be tripped over.
- To reduce the risk of fire or electric shock, **DO NOT** use this appliance with any solid-state speed control devices.
- **DO NOT** touch this appliance or the plug with wet hands or while standing in water.
- Maintain a 12-18-inch clearance space around this unit. **Do NOT** block or cover air inlet or outlet grilles.
- The unit must be connected to a correctly grounded power supply.
- **DO NOT** start or stop the unit by inserting or pulling out the power plug.
- **DO NOT** use an adapter plug or extension cord.
- **DO NOT** use the unit in the immediate surroundings of a bath, a shower or a swimming pool.
- **DO NOT** insert anything into the air outlet. **DO NOT** obstruct air inlet or outlet grills unless instructed by this manual.
- **DO NOT** direct the air flow at human faces or bodies.
- **DO NOT** let children play near this unit.
- Always inspect the cord for signs of damage before use. If the power cord is damaged, it must be replaced by the manufacturer or a qualified service technician.
- **DO NOT** attempt to repair or adjust any electrical or mechanical functions of this appliance, as this may cause danger and void the warranty.
- If the appliance is damaged or it malfunctions, **DO NOT** continue to use it. Unplug the product and refer to troubleshooting guide or contact the seller.
- **Make sure** the unit is turned off and unplugged before cleaning or servicing this unit.

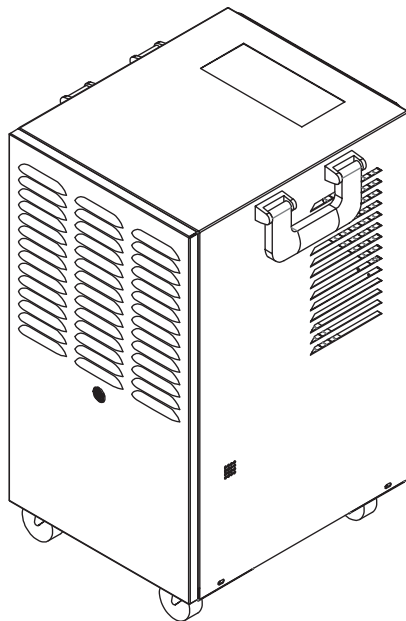
Growing Eco-T Series Dehumidifier Introduction

Latest technology and efficient extraction process ensure a frequent change of location from one building site to another or the application in rough surroundings and on difficult terrain does not pose a problem for this condenser dryer.

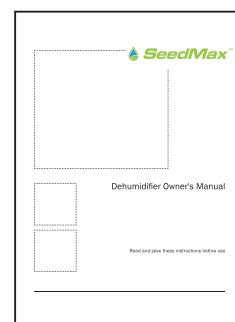
The robust steel construction in carriage design with transport handle and big wheels can withstand a fair bit and can easily be transported to any operating site.

Owing to an external condensate drain and optionally available condensate pump, ECO series product is further ideally suited for longer unattended dry keeping applications, the duration of which can be determined precisely by means of the integrated operating hours counter – perfect for commercial applications.

Items Included (ECO-T30)

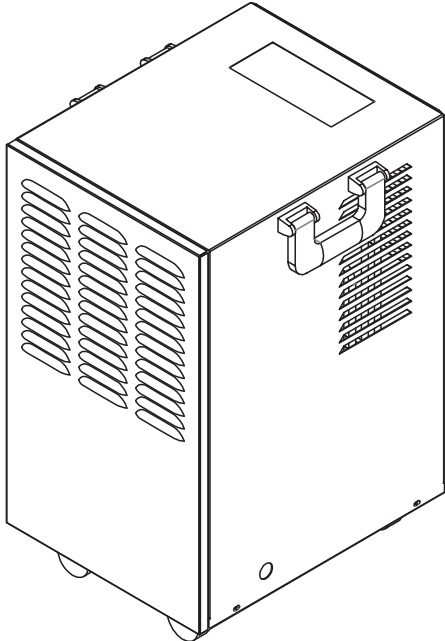


ECO-T Dehumidifier x1

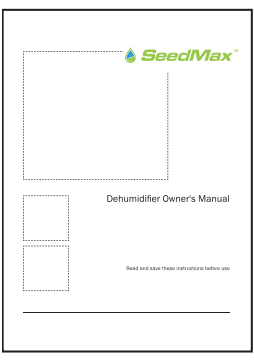


User's Manual x1

Items Included (ECO-T45)

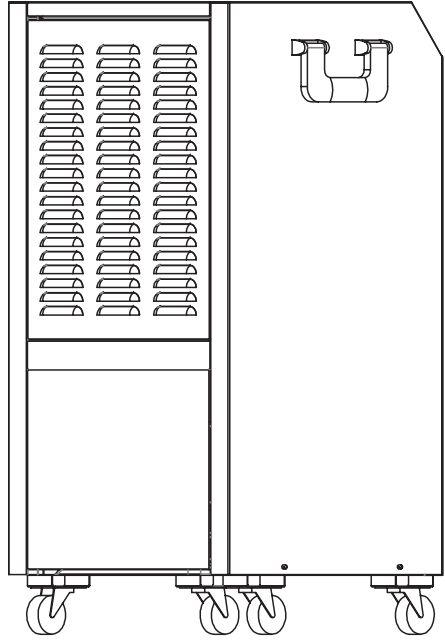


ECO-T Dehumidifier x1

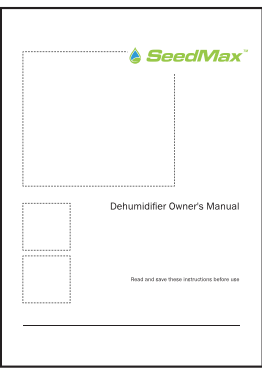


User's Manual x1

Items Included (ECO-T115)

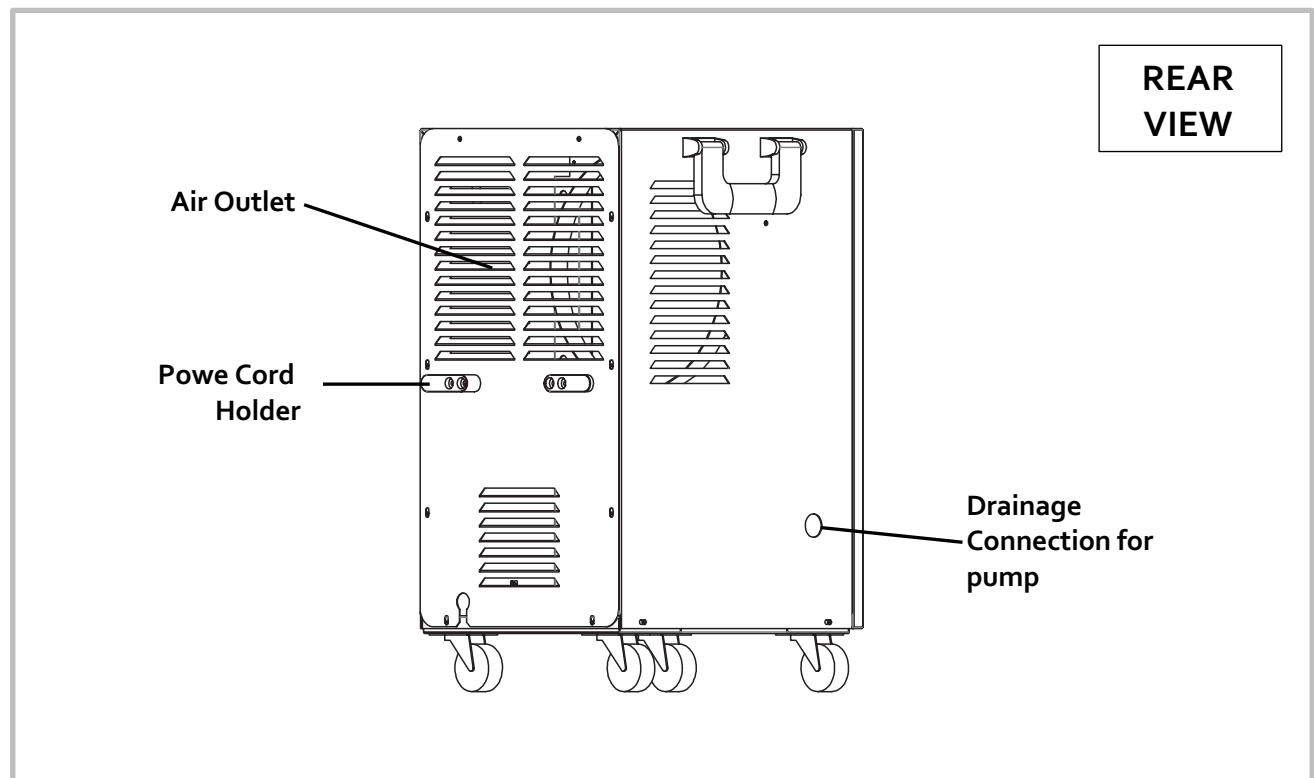
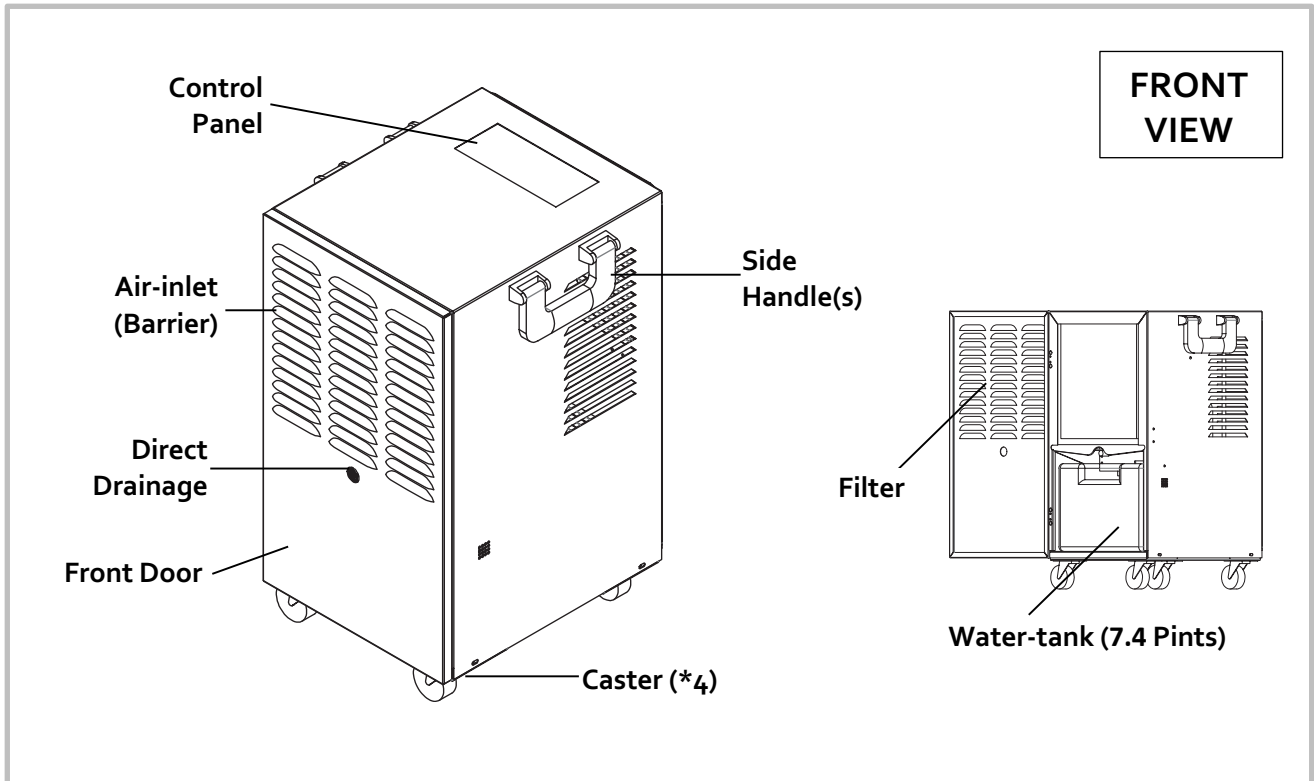


ECO-T Dehumidifier x1



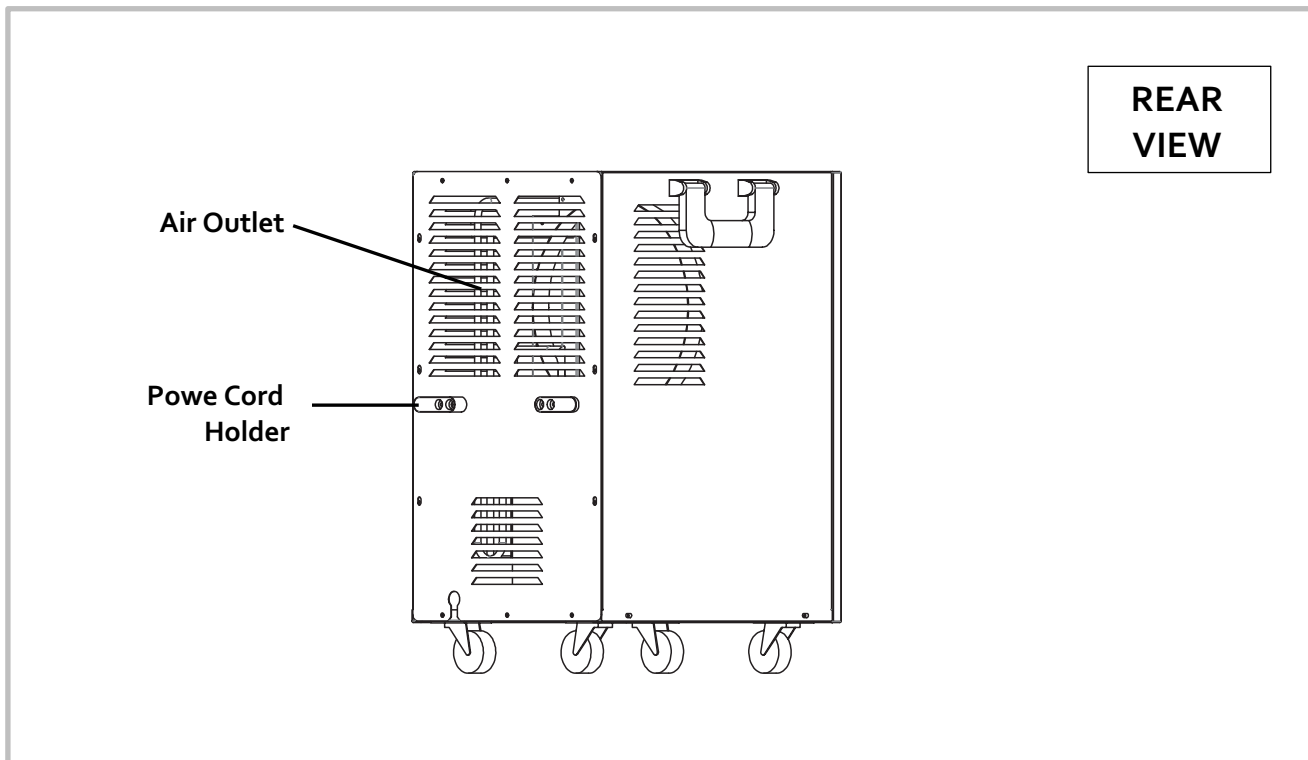
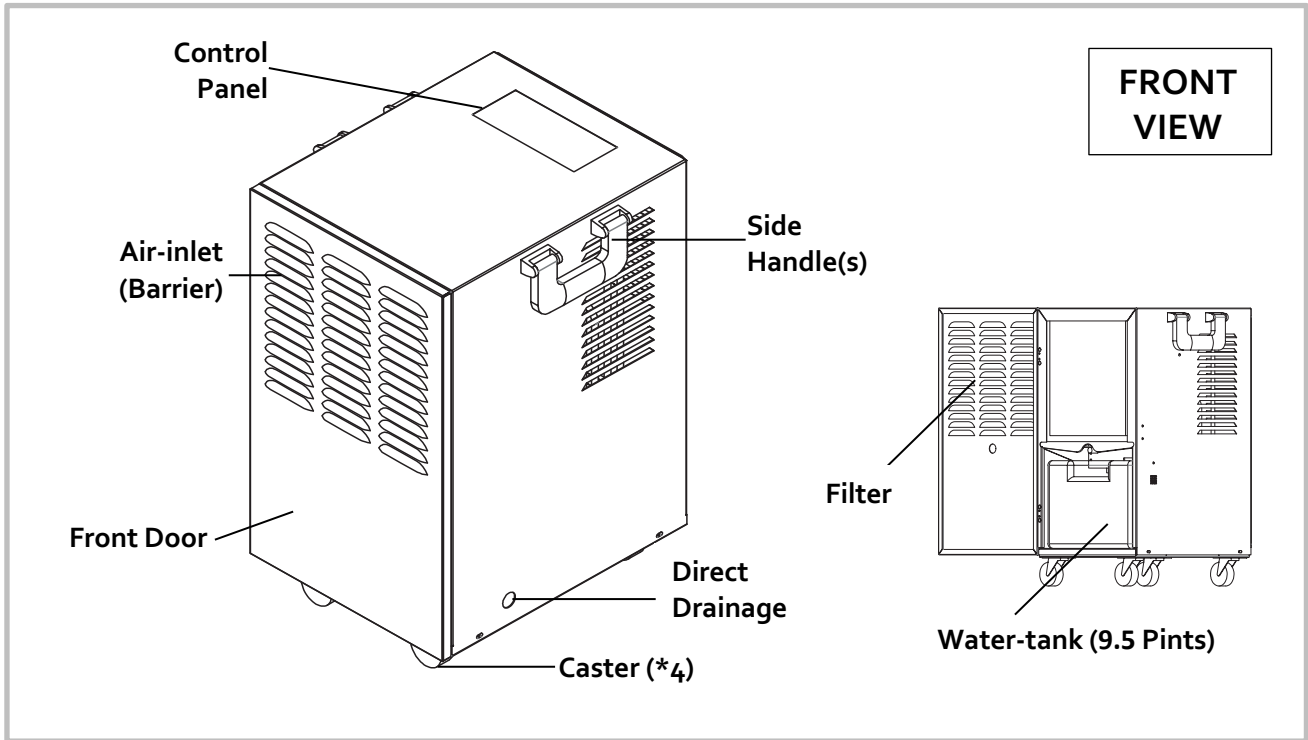
User's Manual x1

Product Description (ECO-T30)



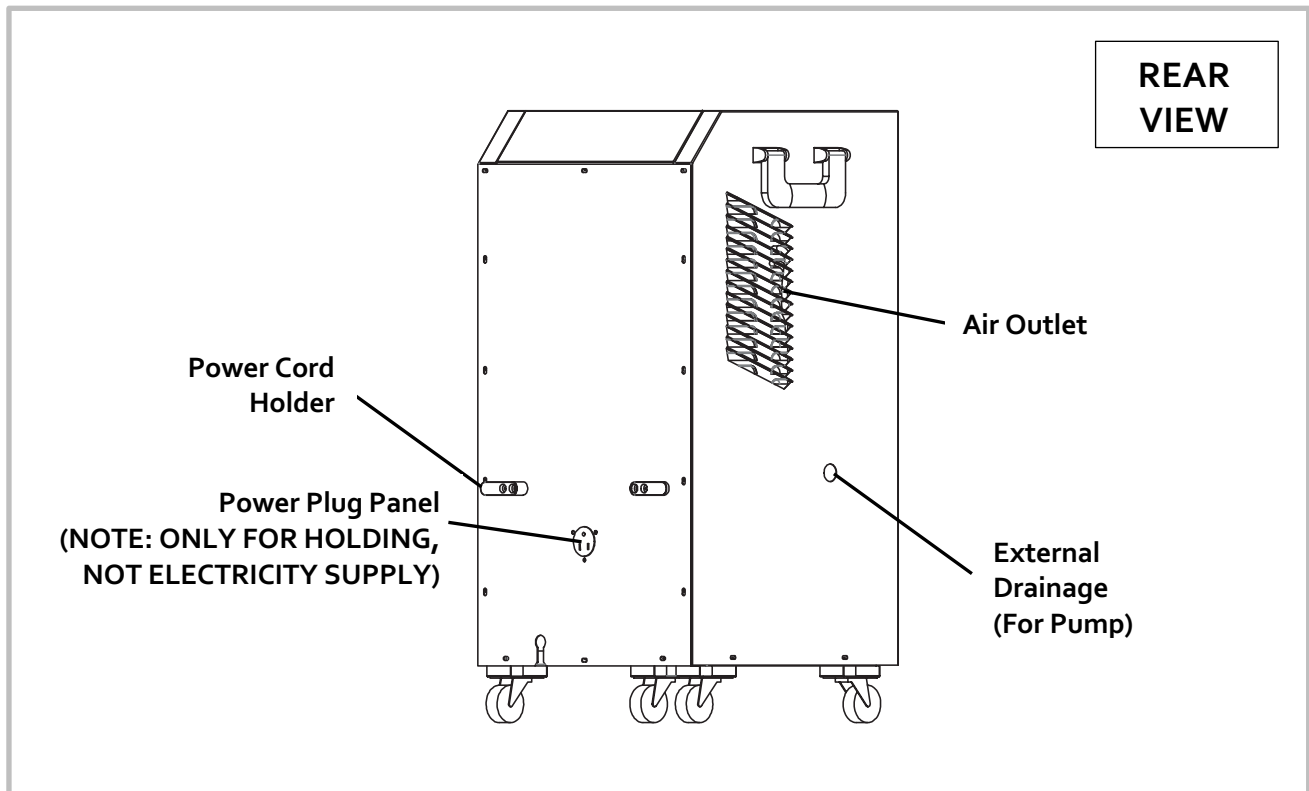
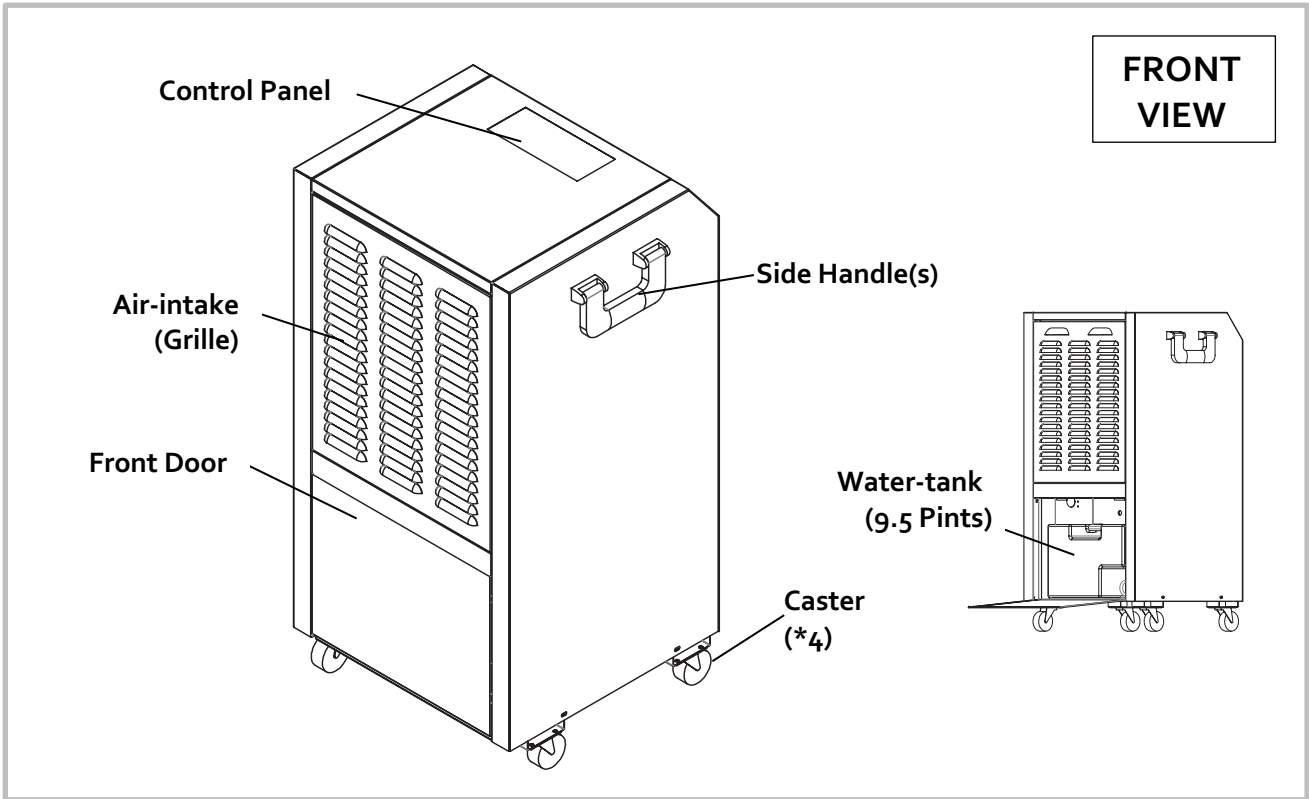
NOTE: Water-pump is optional accessory for T series

Product Description (ECO-T45)



NOTE: Water-pump is optional accessory for T series

Product Description (ECO-T115)

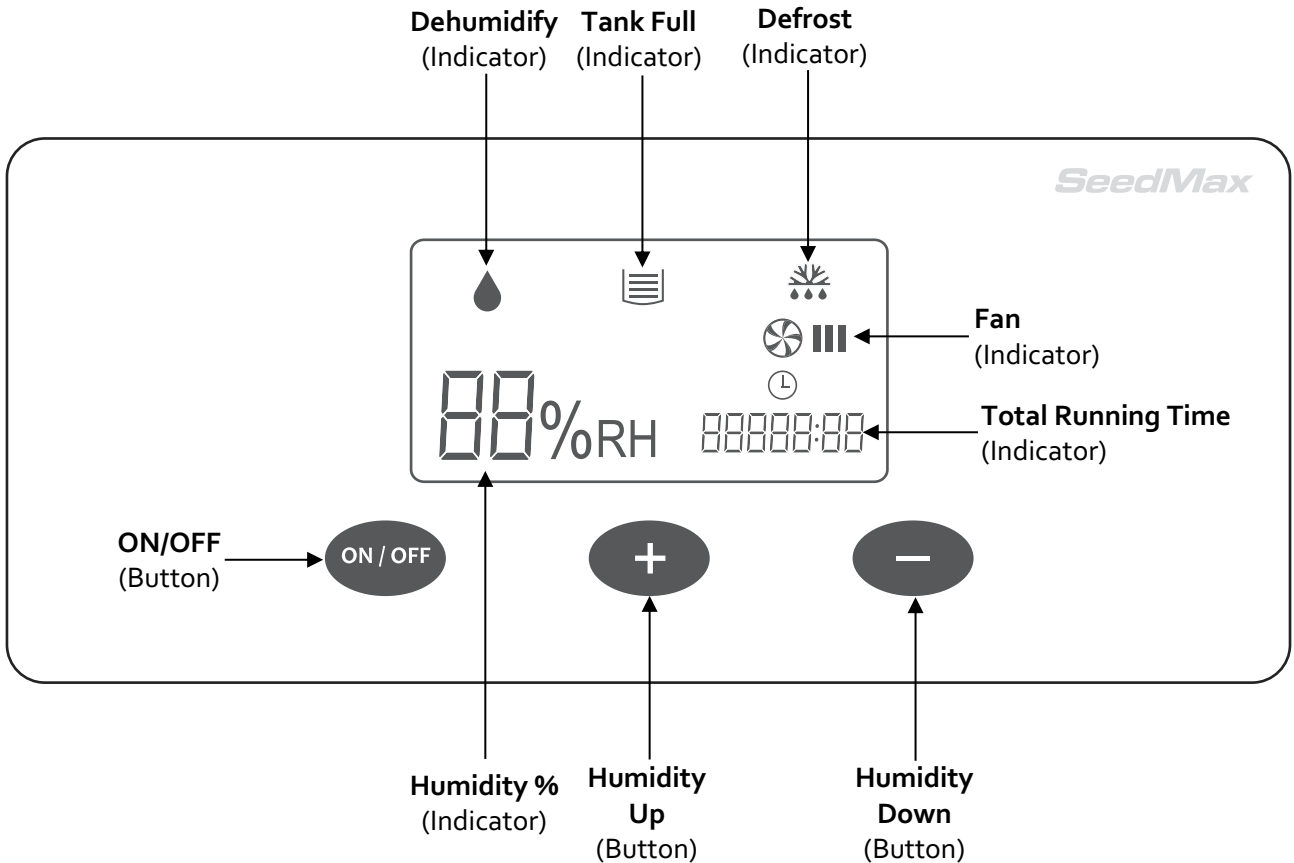


NOTE: Water-pump is optional accessory for T series

Product Description

Control Panel

- **3-button Panel** – for ECO Model: **T30, T45 & T115**



Buttons

Power

Press ON/OFF button switch the dehumidifier ON or OFF.

Humidity Setting

Tap "+" / "-" to increase/decrease the desired humidity level by 1% increments. Touch and hold to increase/decrease the setting humidity level by 5% per second. The adjustable range is 30% to 90%

Information

Unit makes a "BEEP" sound when powered on. The default setting for humidity is 60% and use the Humidity Up and Down buttons to adjust the humidity setting.

Keep pressing the Humidity Down button to 30% to activate continuous dehumidify mode, which will show as "CO" (Continuous Operation) on the screen. The humidity % will flash when setting the humidity, then display current humidity after 5 seconds.

Installation and Operation Guide

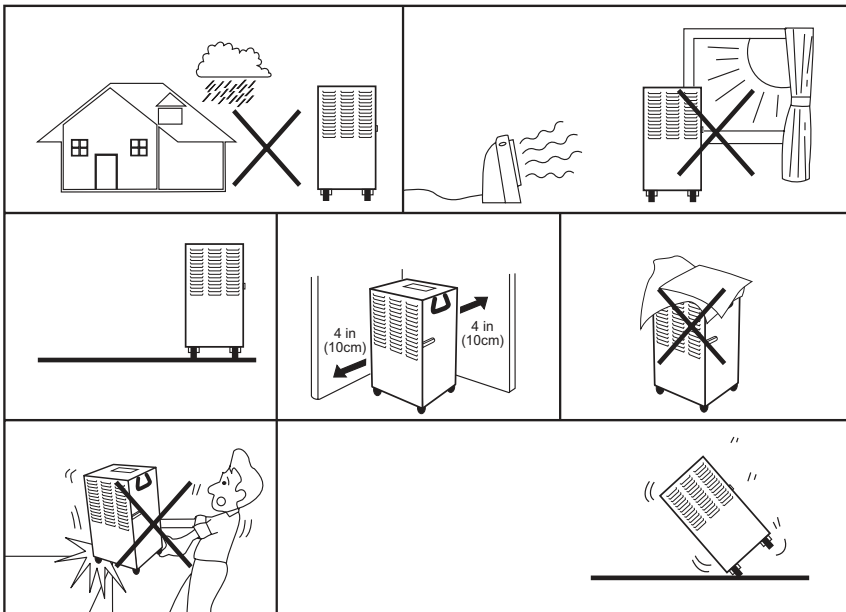
Installation

Before operating the unit, place the unit **UPRIGHT** for at least 1 hour to allow refrigerant to stabilize. If the unit was titled on its side or upside-down during transportation, set the unit **UPRIGHT** for at least 4 hours before use. The dehumidifier must be positioned **UPRIGHT** on a level surface during operation.

Environment Temperature and Humidity: the dehumidifier is designed to work in an environment with a temperature of 41°F - 95 °F (5 °C - 35 °C) and relative humidity level of 10% and higher. The dehumidifier may not function normally or efficiently if the room temperature and humidity level exceed this range.

⚠ WARNING *Must not use the dehumidifier in potentially dangerous locations.*

1. Remove the packaging and make sure the unit is **NOT** installed outdoors.
2. Your dehumidifier is designed for easy use and maintenance. Make sure that the filter is properly installed before use.
3. Keep the unit's air inlet and outlet at least 4 inches away from any wall/obstruction.
4. Select a flat, stable surface to place the unit. Do not place on or near heat sources such



as stoves, radiators, heaters and avoid placement in direct sunlight.

5. Do not operate the unit in areas where chemicals are stored. Volatile chemicals might damage the unit and may cause the water bucket to leak.

Installation and Operation Guide

Operation

PLEASE READ ALL INSTRUCTIONS CAREFULLY

BEFORE OPERATING THE PRODUCT

- Power – plug the power into a standard 115V power supply outlet.
- Press "ON/OFF" button on control panel to start the unit.
- The screen will display the current humidity setting value and press "+" or "-" to adjust desired humidity increments of 1%. Press and hold the button to make faster adjustments. Setting the humidity value below 30% will allow the unit enter into "continuous dehumidifying" mode and "CO" will briefly appear on the screen.
- Press "ON/OFF" again to shut down the dehumidifier and do not forget to unplug the power when not in use.

DANGER

Do not handle the plug with wet hands. Electric shock may occur, resulting in injury or death.



Tips – the best humidity range for human health, furniture and other goods protection is 45% - 65%. We suggest you keep the humidity in this range

- When the humidity setting is higher than the current room humidity, the compressor will not run and fan motor continues running.
- Maintaining the humidity between 45-65% is suggested for best results.

NOTE: NEVER attempt to start, stop and restart the unit without waiting at least 3 minutes. Failure to do so may cause damage to the compressor and/ or cause unit failure.

- The unit will automatically sense when it needs to enter the **Defrost** mode, especially in low-temperature environments. During defrosting, the **Defrost** Indicator will illuminate on the display, the compressor will turn off, and the fan motor will run until the cycle is complete.

- Accumulated run time on the display indicates the total number of hours that the unit has been operated.

NOTE: ALWAYS unplug the unit, properly wrap the power cord and utilize the plug storage receptacle before moving or servicing. Use only the ON/OFF button to turn the unit on and off.

WARNING

DO NOT block the grids when the unit is in use. Keep metal objects away from the unit. Bodily injury or property damage may occur.

Installation and Operation Guide

Maintenance

Clean the surface

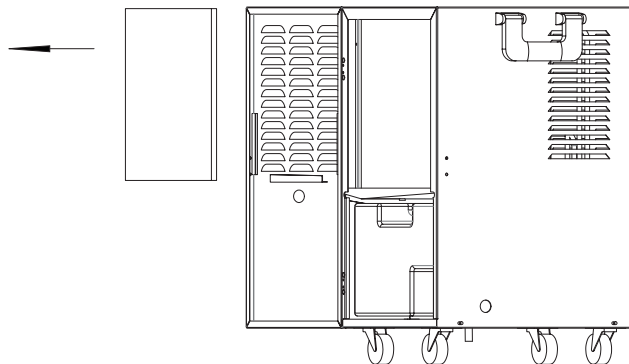
- Use a damp cloth to wipe the surface of the housing. **DO NOT** clean the unit with water directly.
- **DO NOT** clean the fins of the evaporator and condenser by yourself.

Store the machine

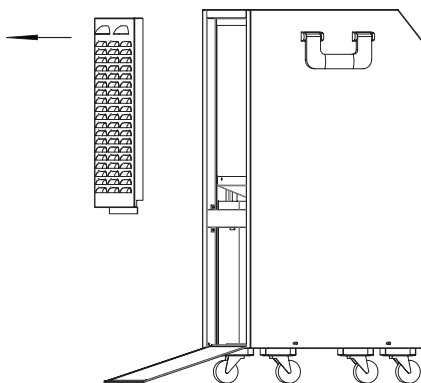
- Store this unit in a dry and cool indoor area, away from direct sunlight as well as chemicals and out of reach of children.
- **IMPORTANT:** make sure the unit is levelly positioned.
- **DO NOT** stack the units directly to avoid damaging.
- **CLEAN** the filter periodically to keep unit running efficiently. It is suggested to clean the filter monthly or even more often while under very dusty condition.
- **DO NOT** place the filter in the dishwasher.

FOR MODEL T30 & T45

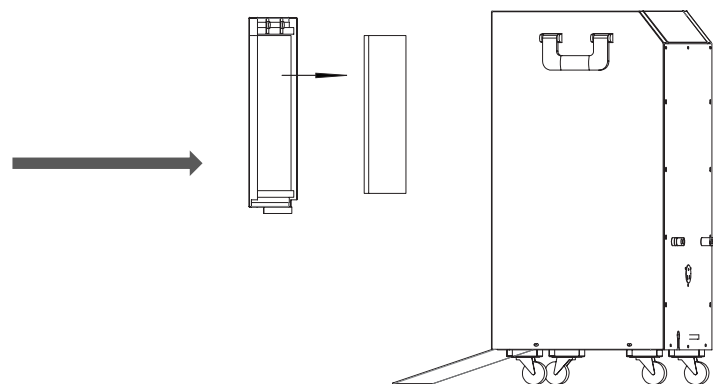
To remove the filter, gently open the front door and take the filter out behind the air-inlet barrier



FOR MODEL T115



Step 1: lift-up the front air-inlet barrier and remove this part



Step 2: take out the filter behind the barrier

Installation and Operation Guide

Error Codes

For ECO H-series codes:

CODE	CAUSE	SOLUTION
E3	Humidity Sensor Failure	Change humidity sensor
E4	Water-tank is Full	Empty the water inside the tank
E5	Defrost Sensor Failure	Call service for changing defrost sensor

Installation and Operation Guide

Troubleshooting

PROBLEM	POSSIBLE CAUSE(S)	SOLUTION
Dehumidifier does not turn on	No electricity.	Check power supply.
	The power cord is not properly plugged in.	Reconnect the power cord.
Dehumidifier runs but humidity level will not decrease	The system is still starting up	wait for 3 minutes (180 seconds) until the compressor starts running (protection).
	Humidity setting is too high	Reduce setting value
	Air-flow is restricted	Make sure there is no obstacles blocking air-intake or air-outlet side.
	The room temperature is too low/high	make sure the room temperature exceeds its allowed range.
Water leakage	drain hose is loose	reconnect the drain hose
	water-pump failure (only H90 & H100)	Change water-pump
Noise	Drainage process (only H90 & H100)	Water-pump may create certain sounds during operation and this is normal.
Fan noise	Air is moving through the unit	This is normal.

Technical Specifications

T30, T45 & T115

MODEL	T30	T45	T115
Power Supply	115V/60Hz		
Current (A)	6.2	7.9	9.9
Operation Condition (Temperature and Relative Humidity)	41°F - 95°F 30% - 90%RH		
Refrigerant	R410a		
Charge Vol. (Oz)	11.3	13.8	30
Air-flow Volume (CFM)	135	135	220
Capacity (90°F, 90%RH)/ 24hrs	72 Pints	102 Pints	234 Pints
Capacity (86°F, 80%RH)/ 24hrs	60 Pints	85 Pints	190 Pints
Capacity (80°F, 60%RH)/ 24hrs	30 Pints	50 Pints	115 Pints
Handle & Wheel	Yes		
Power Cord Length	9.8 ft.		
Water-tank	7.4 Pints	9.5 Pints	9.5 Pints
Water-pump	Optional		
Unit Dimension (L*W*H)in.	14.4*16.8*23.7	14.5*17*23.6	16.7*17.9*32.6
Packaging Dimension (L*W*H)in.	15*18.6*25.4	15.9*24*26	20.9*22.8*40.7
Packaging	Carton		
Qty per package	1x		
Net Weight (lbs)	60	66	113
Gross Weight (lbs)	64	73	121
Certificate	ETL / C-ETL		

LIMITED WARRANTY

ONE Year Components Limited Warranty

TWO Year Compressor AND Evaporator/Condenser Limited Warranty

SeedMax™ warrants the accompanying Dehumidifier to be free of defects in material and workmanship for the applications specified in its operation instruction for a period of ONE (1) years for components and TWO (2) years for the compressor AND evaporator/condenser from the date of original retail purchase in the United States.

As a condition to any warranty service obligation, the consumer must present this Warranty Certificate along with a copy of the original purchase invoice.

THIS WARRANTY DOES NOT COVER:

- Damage, accidental or otherwise, to the unit while in the possession of a consumer not caused by a defect in material or workmanship.
- Damage caused by consumer misuse, tampering, or failure to follow the care and special handling provisions in the instructions.
- Damage to the finish of the case, or other appearance parts caused by wear.
- Damage caused by repairs or alterations of the unit by anyone other than those authorized by SeedMax™.
- Freight and Insurance cost for the warranty service.
- Filter and Accessories.

ALL WARRANTIES, INCLUDING ANY IMPLIED WARRANTY OF MERCHANTABILITY ARE LIMITED TO ONE-YEAR DURATION OF THIS EXPRESS LIMITED WARRANTY. **SEEDMAX™** DISCLAIMS ANY LIABILITY FOR CONSEQUENTIAL OR INCIDENTAL DAMAGES AND IN NO EVENT SHALL **SEEDMAX™** LIABILITY EXCEED THE RETAIL VALUE OF THE UNIT FOR BREACH OF ANY WRITTEN OR IMPLIED WARRANTY WITH RESPECT TO THIS UNIT.

This warranty covers only new products purchased from our authorized dealers or retailers. It does not cover used, salvaged, or refurbished products.

As some states do not allow the limitation or exclusion of incidental or consequential damages, or do not allow limitation on implied warranties, the above limitations and exclusions may not apply to you. This warranty gives you specific legal rights, and you may also have other rights that vary from state to state.



NOTE

NOTE

Notice: All design and specifications herein are subject to change without notice for product improvement.

Contact SeedMax™ authorized dealer/distributor for further details, updates and other information.



**Thank you for purchasing SeedMax™
ECO series dehumidifier**